



VOLT-2003/2005 Voltage Reducer Kit

Club Car Precedent 08.5+

Installation Instructions

Specifications

Input Voltage: 36-48 Volt DC

Output Voltage: 12 Volt DC

Amperage: 30 Amps (VOLT-2003) / 20 Amps (VOLT-2005)

Activation: Key Switch Activated w/ Thermal Overload Protection

Dimensions: 7"L x 2.625"W x 2"D

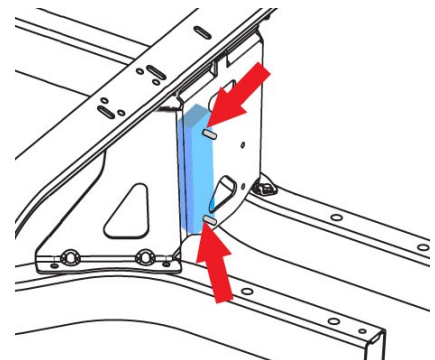
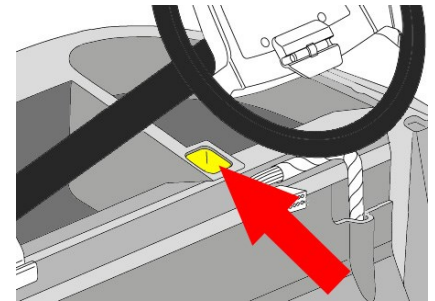
Caution: Please read through the safety information and instructions before installing this product. Remove the system's positive and negative connections from the battery or battery pack before starting this project. This kit is designed for 36-48V operation only. Operating this kit a higher voltage will void any and all warranty.

Before You Start

1. If the vehicle is ON, turn the key to the OFF position.
2. Place the TOW/RUN switch in the TOW position (if equipped).
3. Remove the system's positive and negative connections from the battery or battery pack.
4. Engage the parking brake.

Installation Instructions

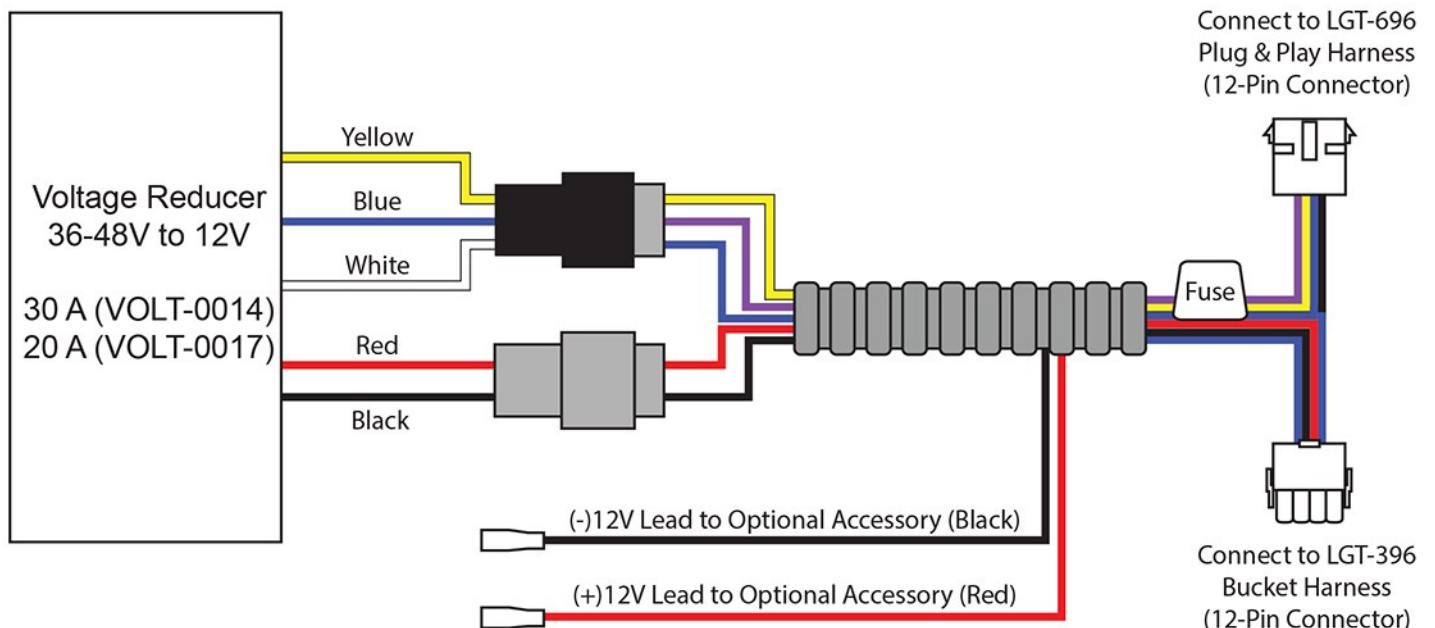
1. From behind the dash panel, connect the VOLT-0015 sub-harness to the LGT-396 bucket harness and to the LGT-696 plug and play harness following the diagram below.
2. Route the (2) gray connectors on the VOLT-0015 through the access hole (on the passenger side dash) to the underside of the cart.
3. From beneath the vehicle, install the voltage reducer on the inside of the center dash support using (2) 1/4-20 Serrated Nuts.
4. Connect the gray and black connectors on the reducer to the (2) gray connectors on the VOLT-0015 sub-harness.



NOTE: A significant spark is normal when connecting the LGT-396 power connections after installing the voltage reducer for the first time.

Optional Accessories

The VOLT-0015 sub-harness contains (2) 12V optional accessory leads for an additional accessory. The wire connectors are protected with head shrink material. To access the connectors, use a utility knife to carefully remove the head shrink material. Connect the accessory to the VOLT-0015 sub-harness following the diagram below.





VOLT-2002/2004 Voltage Reducer Kit

Universal

Installation Instructions

Specifications

Input Voltage: 36-48 Volt DC

Output Voltage: 12 Volt DC

Amperage: 30 Amps (VOLT-2002) / 20 Amps (VOLT-2004)

Activation: Key Switch Activated w/ Thermal Overload Protection

Dimensions: 7"L x 2.625"W x 2"D

Caution: Please read through the safety information and instructions before installing this product. Remove the system's positive and negative connections from the battery or battery pack before starting this project. This kit is designed for 36-48V operation only. Operating this kit a higher voltage will void any and all warranty.

Before You Start

1. If the vehicle is ON, turn the key to the OFF position.
2. Place the TOW/RUN switch in the TOW position (if equipped).
3. Remove the system's positive and negative connections from the battery or battery pack.
4. Engage the parking brake.

Installation Instructions

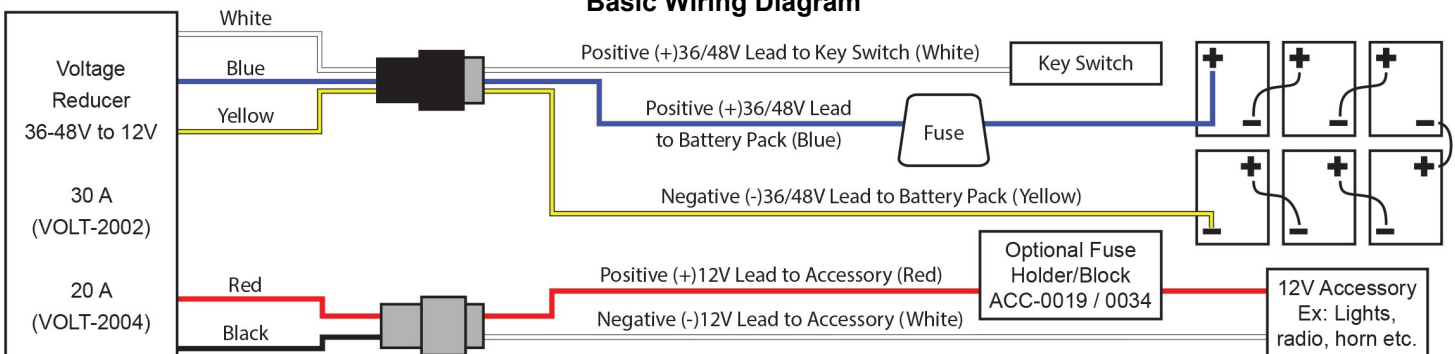
1. Locate an open area on the golf cart chassis for installation. The area should be well ventilate and easily accessible. Clean the area well and make sure the reducer will fit.
2. Mark mounting hole locations 5" apart (center to center). Drill the marked holes with a 5/16" drill bit and bolt the voltage reducer into place using (2) 1/4-20 Serrated Nuts.
3. Connect the wires as shown in the following wiring diagrams. **Do not confuse the orientation of the white wire leads. Doing so will damage the reducer and void any and all warranty.** Please note, the E-Z-Go RXV has a different wiring diagram.

NOTE: Battery layouts are for instructional purposes only. Battery configurations may vary.

4. Reconnect the vehicle's positive (+) and negative (-) connections to the battery pack. Place the TOW/RUN switch in RUN. Verify all battery connections are tightened and secured. Turn the key ON and turn on the accessory/accessories to test reducer.

NOTE: A significant spark is normal when connecting the power connections after installing the reducer for the first time.

Basic Wiring Diagram



E-Z-Go RXV Wiring Diagram

